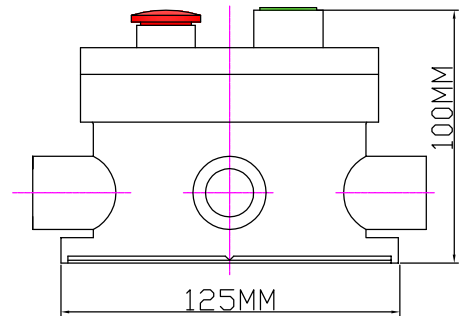


FRONT VIEW



SECTION VIEW

EXPLOSION PROOF DIRECT ENTRY PUSH BUTTON

TECHNICAL SPECIFICATION

Type of Ex-Protection	EEx-d Type, IS/IEC60079-1:2007
Zone Classification	Zone 1 & Zone 2
Gas Group	IIA, IIB, T6 IS/IEC60079-0:2004
Ingress IP Protection	Ip66 IS/IEC60529-1:2001
Material of contraction	Pressures Die Cast Aluminum Alloy Lm6
Paint	Epoxy Polyester Powder Coating
Earthling	Internal -01 No. External -02 Nos.
Cable Entry	02 Nos. for 3/4" ET (M20)
Rating	10 AMP 220Volts/440 Volts AC/DC
Green Push Button	START with 1NO Contact element for 10 AMP
Red Push Button	STOP Mushroom Head Pad Lock with 1NC Contact 10AMP