

### APPLICATIONS & FEATURES

Applied to oil company, Refineries, Offshore & Onshore Oil Platform, Solvent, Chemical, Pharmaceuticals, Gas Filling stations, Oil Tanks, All the Hazardous area Etc. suitable for Zone 1, 2, 22 Gas Gr. IIB

- Branded LED & drivers with High class light Efficiency. CITIZEN LED Chip, PDC Casting al. Alloy LM6 housing, with Epoxy Polyester powder coating.
- Min. power consumption while high light efficiency, power consumption just 20% as much as HPMV/SV/MHL lamp at the same luminous condition, it saves energy more than 75% than that traditional light.
- Advanced quadratic light distribution design result in high uniformity of illuminations and good lighting quality, clear lighting effect without a double image.
- Beautiful appearance, several type of installation methods available.



### PRODUCT SPECIFICATIONS

Rated Power	UPTO 120 Watt
Input Voltage	110-220 VAC
Beam Angle	120 Dgree
Total Lumen	110lm/w
Color Temperatures	6500K
CRI	>80
Power Factor	>0.95
Temp. Class	T5 with -40 to 90 C
Lifetime	>50000Hrs.
Protection	OV/SC/ Surge 10KV
THD	Less Than 10%
Ik07 Tested	Yes Available
Efficiency of driver	> 85%
LED Certification	Lm80 & LM79

### CAT NO - TFE-LED-03

✦ Type of Ex Protections	: Ex d
✦ Ingress protections	: IP66
✦ Zone classification	: Zone 1,21 & 2, 22
✦ Gas Group	: IIA, IIB,
✦ MOC	: PDC Al. Alloy LM6
✦ Finish	: EP Powder Coat
✦ 'O' Ring	: Neoprene Rubber
✦ Glass	: Toughened Glass
✦ Hardware	: SS
✦ Cable Entry	: M20 -02 Nos.
✦ Ex Marking	: Ex d IIB IP66 T6
✦ Certification	: CIMFR, BIS, PESO

### TRI-FLP ENGINEERS PVT. LTD.

Gala No 7, Gulmohar Park, Plot No A-164, 165, MIDC, Phase-I, Near Bhavana Transport, Opp Suzuki Service Dombivali E, Dist Thane 421204, Maharashtra, India.

Tel : +91 0251 2433393 / 2452001 / 2440071 / 2440081

Email : vikas@trimurtitripl.com / triflp@gmail.com

Web : www.explosionproof.co.in



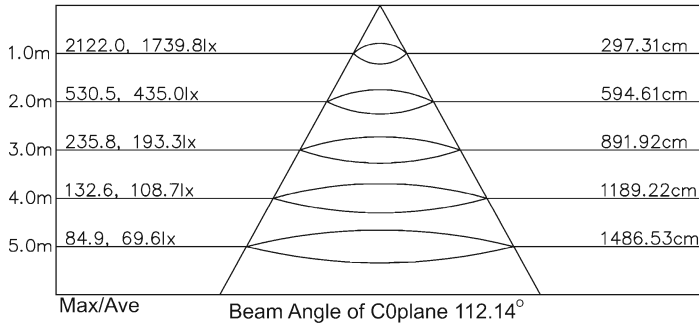


**LED FLAME-PROOF LIGHT  
WELL GLASS TYPE**

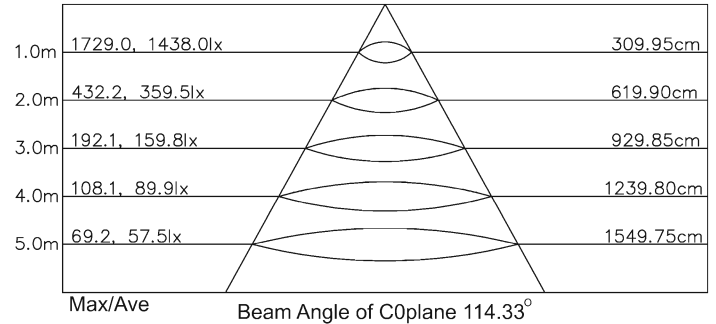


**TRI-FLP**  
Engineers Pvt Ltd

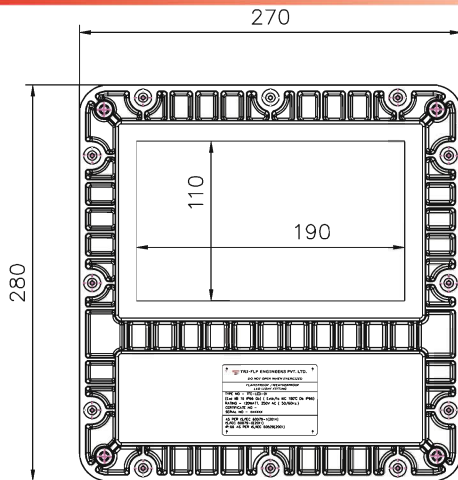
**AAI Figure ( Lux Distance Curve)**



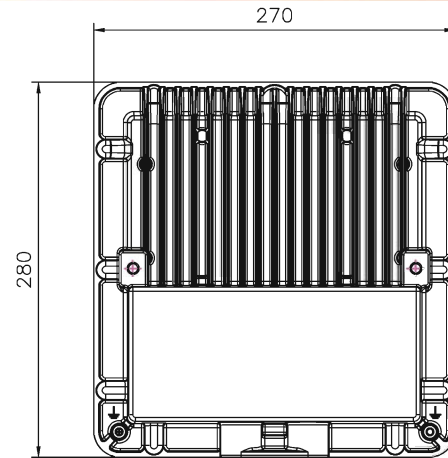
**60 Watt**



**40 Watt**

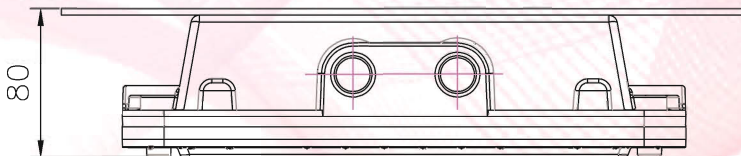


**Front View**

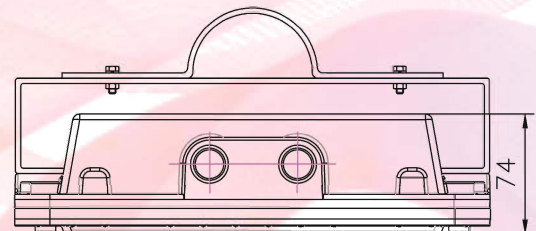


**Back Side View**

**Examples of Mounting**



**Wall / Ceiling Mounting**



**Pole Mounting Bracket**

**TRI-FLP ENGINEERS PVT. LTD.**

Gala No 7, Gulmohar Park, Plot No A-164, 165, MIDC, Phase-I, Near Bhavana Transport, Opp Suzuki Service Dombivali E, Dist Thane 421204, Maharashtra, India.

Tel : +91 0251 2433393 / 2452001 / 2440071 / 2440081

Email : vikas@trimurtitriFLP.com / triflp@gmail.com

Web : www.explosionproof.co.in

