

APPLICATIONS & FEATURES

Applied to oil company, Refineries, Offshore & Onshore Oil Platform, Solvent, Chemical, Pharmaceuticals, Gas Filling stations, Oil Tanks, All the Hazardous area Etc. suitable for Zone 1, 21 & 2, 22 Gas Gr. IIC

- Branded LED & drivers with High class light Efficiency. CITIZEN LED Chip, PDC Casting al. Alloy LM6 housing, with Epoxy Polyester powder coating.
- Min. power consumption while high light efficiency, power consumption just 20% as much as HPMV/SV/MHL lamp at the same luminous condition, it saves energy more than 75% than that traditional light.
- Advanced quadratic light distribution design result in high uniformity of illuminations and good lighting quality, clear lighting effect without a double image.
- Beautiful appearance, several type of installation methods available.



PRODUCT SPECIFICATIONS

Rated Power	30 Watt
Input Voltage	110-220 VAC
Beam Angle	140 Dgree
Total Lumen	110lm/w
Color Temperatures	6500K / 2700K
CRI	>80
Power Factor	>0.95
Temp. Class	T6 with -40 to 60 C
Lifetime	>50000Hrs.
Protection	OV/SC/ Surge 10KV
THD	Less Than 10%
IK 07 Tested	Yes Available
Efficiency of driver	> 85%
LED Certification	Lm80 & LM79

CAT NO - TFE-SL-01

+ Type of Ex Protections	: Ex d
+ Ingress protections	: IP66
+ Zone classification	: Zone 1,21 & 2, 22
+ Gas Group	: IIA, IIB, & IIC
+ MOC	: PDC Al. Alloy LM6
+ Finish	: EP Powder Coat
+ 'O' Ring	: Neoprene Rubber
+ Glass	: Toughened Glass
+ Hardware	: SS
+ Cable Entry	: M20 -02 Nos.
+ Ex Marking	: Ex d IIC IP66 T6
+ Certification	: CIMFR, BIS, PESO

TRI-FLP ENGINEERS PVT. LTD.

Gala No 7, Gulmohar Park, Plot No A-164, 165, MIDC, Phase-I, Near Bhavana Transport, Opp Suzuki Service Dombivali E, Dist Thane 421204, Maharashtra, India.

Tel : +91 0251 2433393 / 2452001 / 2440071 / 2440081

Email : vikas@trimurtitripl.com / triflp@gmail.com

Web : www.explosionproof.co.in

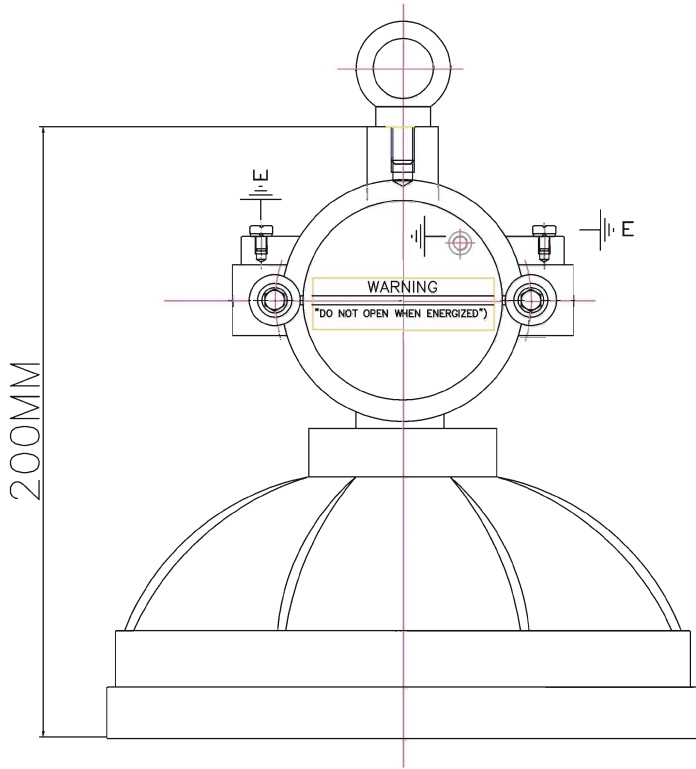


Ex

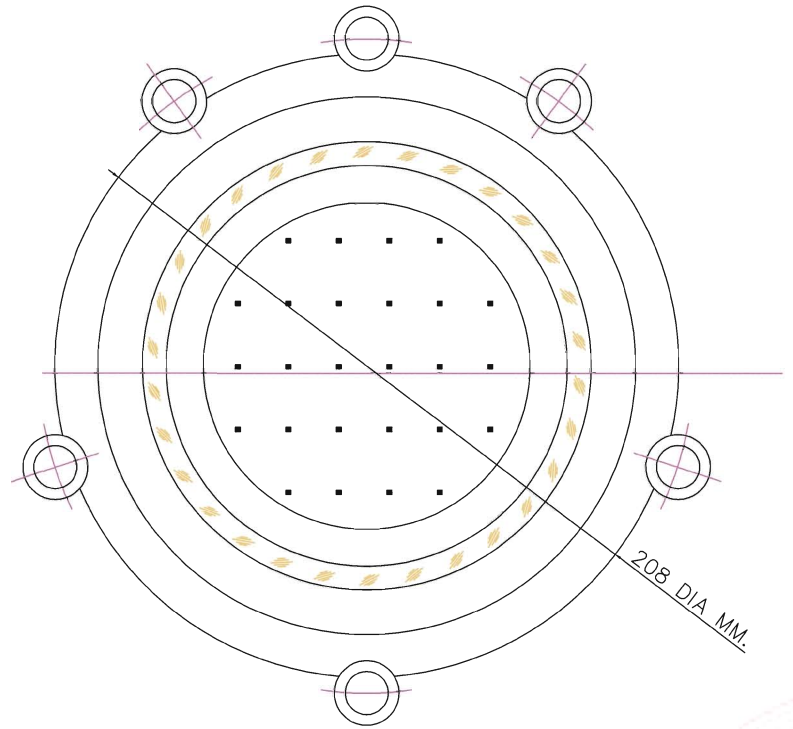
LED FLAME-PROOF LIGHT WELL GLASS TYPE



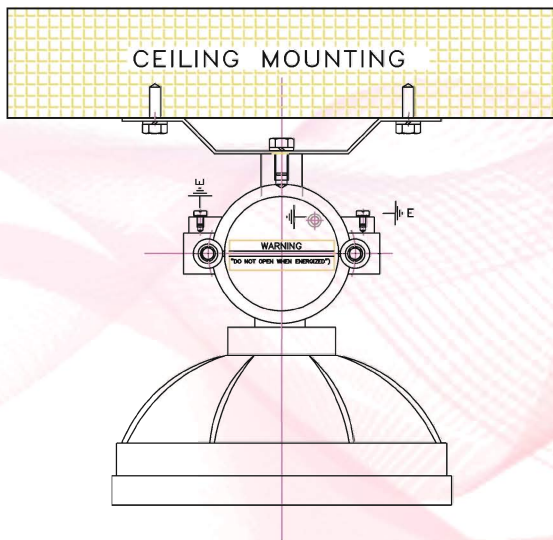
TRI-FLP Engineers Pvt Ltd



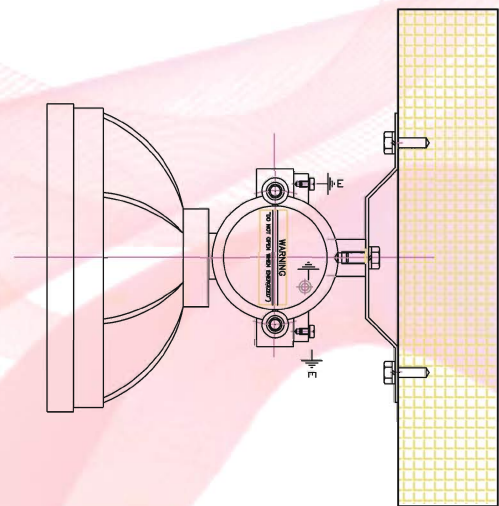
Front View



Bottom View



Ceiling Mounting



Side Wall Mounting

TRI-FLP ENGINEERS PVT. LTD.

Gala No 7, Gulmohar Park, Plot No A-164, 165, MIDC,
Phase-I, Near Bhavana Transport, Opp Suzuki Service
Dombivali E, Dist Thane 421204, Maharashtra, India.

Tel : +91 0251 2433393 / 2452001 / 2440071 / 2440081

Email : vikas@trimurtitriflp.com / triflp@gmail.com

Web : www.explosionproof.co.in

